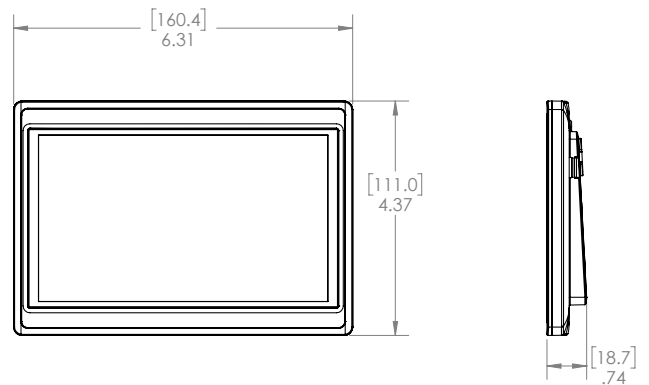


# LCD400W



## TECHNICAL DATA

Active Display Area (mm)	136.8 x 78.7
Active Display Area (inch)	5.39 x 3.10
Battery Lifetime	Estimated 5 years *
Dimensions (mm)	"160 x 111 x 20
Dimensions (inch)	6.30 x 4.37 x 0.79
Display Technology	Passive Dot Matrix
ESL Operating Frequency	2.4GHZ
Operating Temperature	-5°C to 45°C
Battery Qty/Size	2, 2477
Resolution (pixels)	128x240
Compliance	FCC/IC/CE
Packaging Unit (#labels/box)	40
Viewing Angle	180
# Usable Pages	8
Label Updates/hour	4000
Replacable Batteries	Yes
Weight (gram)	277.8
Weight (ounce)	8.04
Transmission Range	300M
Display colors	BW
Active NFC	Not Available
LED	Not Available
Wireless FW Upgrade	No
Pixel Density	45 (h) x 42 (v) dpi
Water Resistance	Yes
Cloud Enabled	No
Automated Geolocation	Yes
Rail Mountable	Yes
Housing Color	White